

460, 480 SERIES

Squeeze Action Plier Clamps | Product Overview

Features:

- Drop forged alloy steel components for exceptional strength
- Two way trigger release allows for fast and easy opening of clamp

Applications:

- Assembly
- Welding

Also Available:

See page MC-ACC-1 for accessories

462



462-2

With Two Adjustable Spindles



463



482



484



486

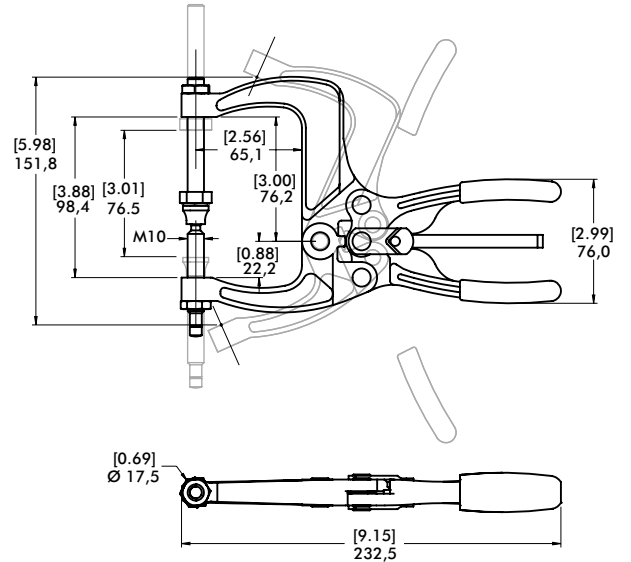
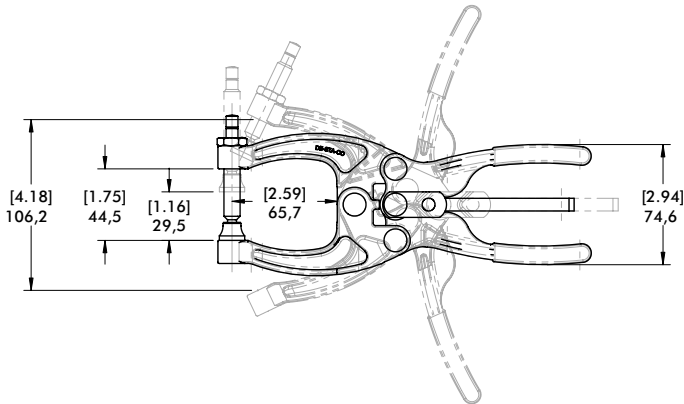
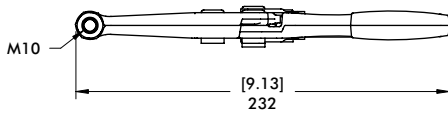
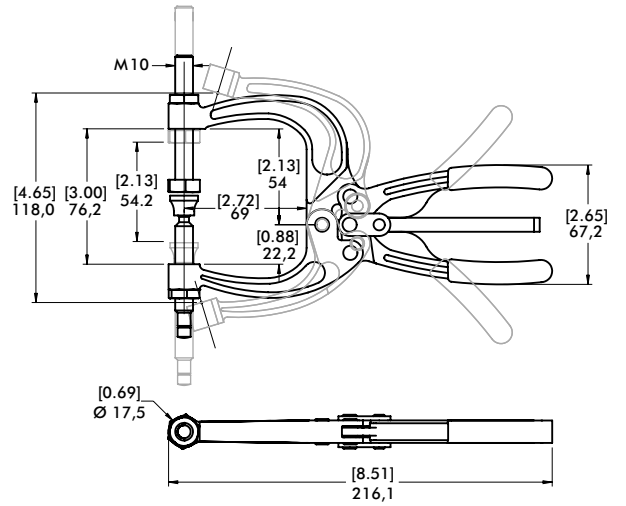
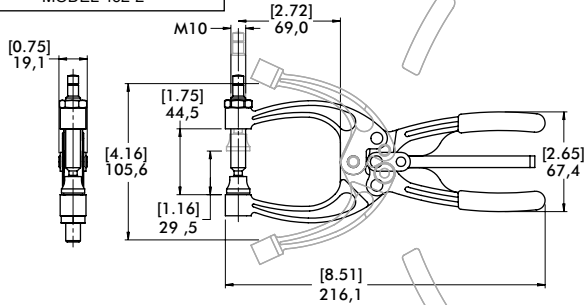
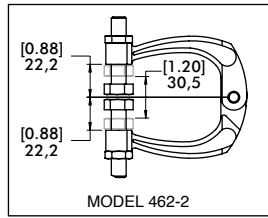


Technical Information | Holding Capacities

Model	Max. Holding Capacity	Weight	Maximum Clamping Thickness	Spindle (Supplied)
462	[700 lbf] 3110 N	0,51 kg [1.13 lbs]	29,5 [1.16]	468206-M
462-2			30,5 [1.20]	(2X) 491203-M
463		0,54 kg [1.19 lbs]	54,2 [2.13]	468206-M 210203-M
482	[1200 lbf] 5340 N	0,79 kg [1.75 lbs]	29,5 [1.16]	468206-M
484			0,91 kg [2.00 lbs]	76,5 [3.01]
486		4450 N [1000 lbf]	1,05 kg [2.31 lbs]	138,4 [5.45]

460, 480 SERIES

Squeeze Action Plier Clamps | Dimensions



MODEL 482 AS SHOWN

MODEL 484 AS SHOWN

